



*Ecosys Printer
FS-6020*

PARTS LIST

FS602070770
842FS6020120

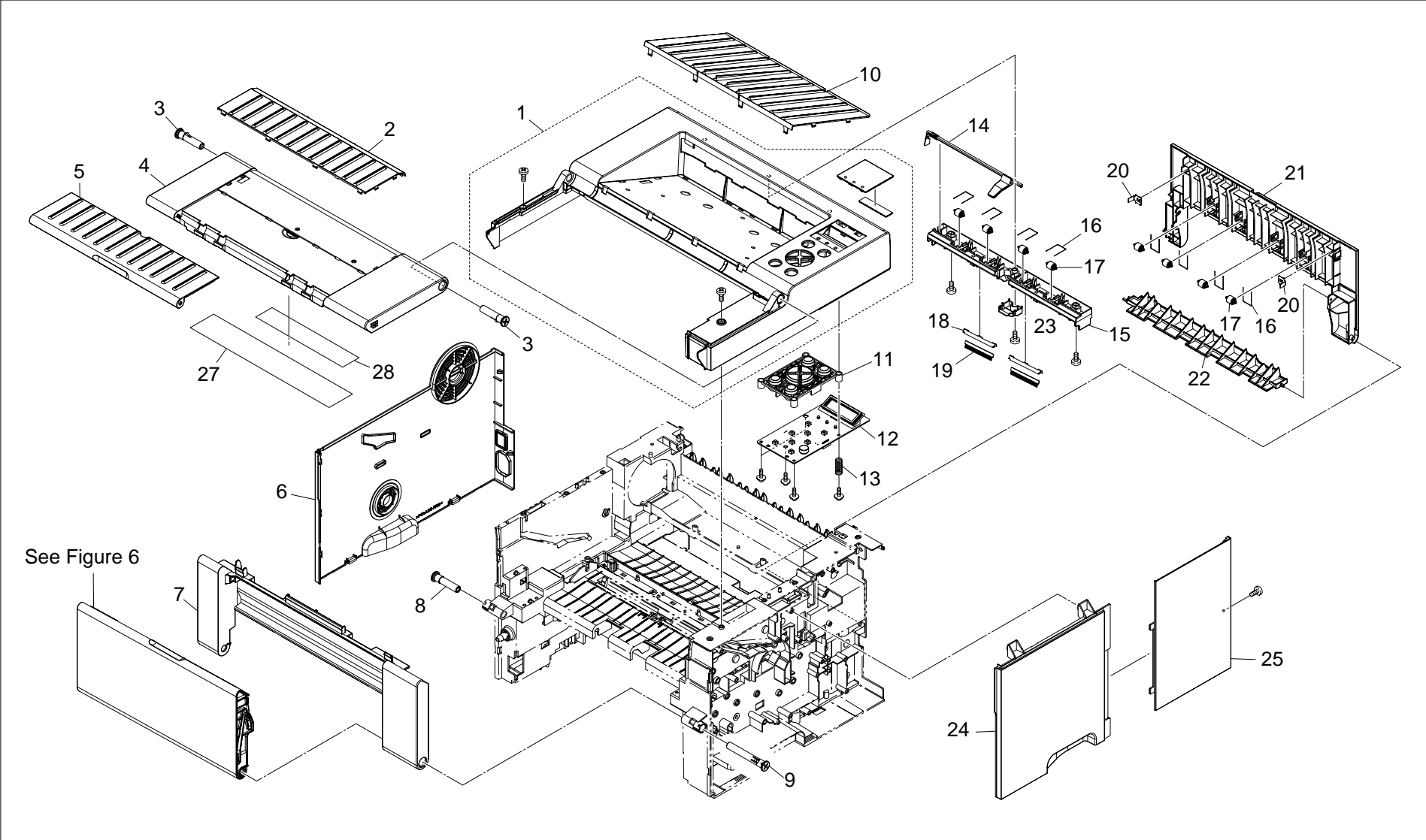
Contents

Enclosure (01-)	3
Upper Frame Unit — 1 (02-)	5
Upper Frame Unit — 2 (03-)	8
Feed assembly (04-)	12
Drive unit (05-)	14
MPF (06-)	16
Scanner (07-)	18
Fuser unit (08-)	20
PU — 1 (10-)	23
PU — 2 (10-)	25
Paper cassette (11-)	27

Legend

+	These parts are component parts or sub-assemblies of the assembly appearing immediately above them.
++	These parts are component parts or sub-assembly marked with a + appearing immediately above them.
ISP	Initial service parts which primarily appear on the ISP list supplied by the manufacturer.
GSP	General service parts which appear on the GSP list supplied by the manufacturer.

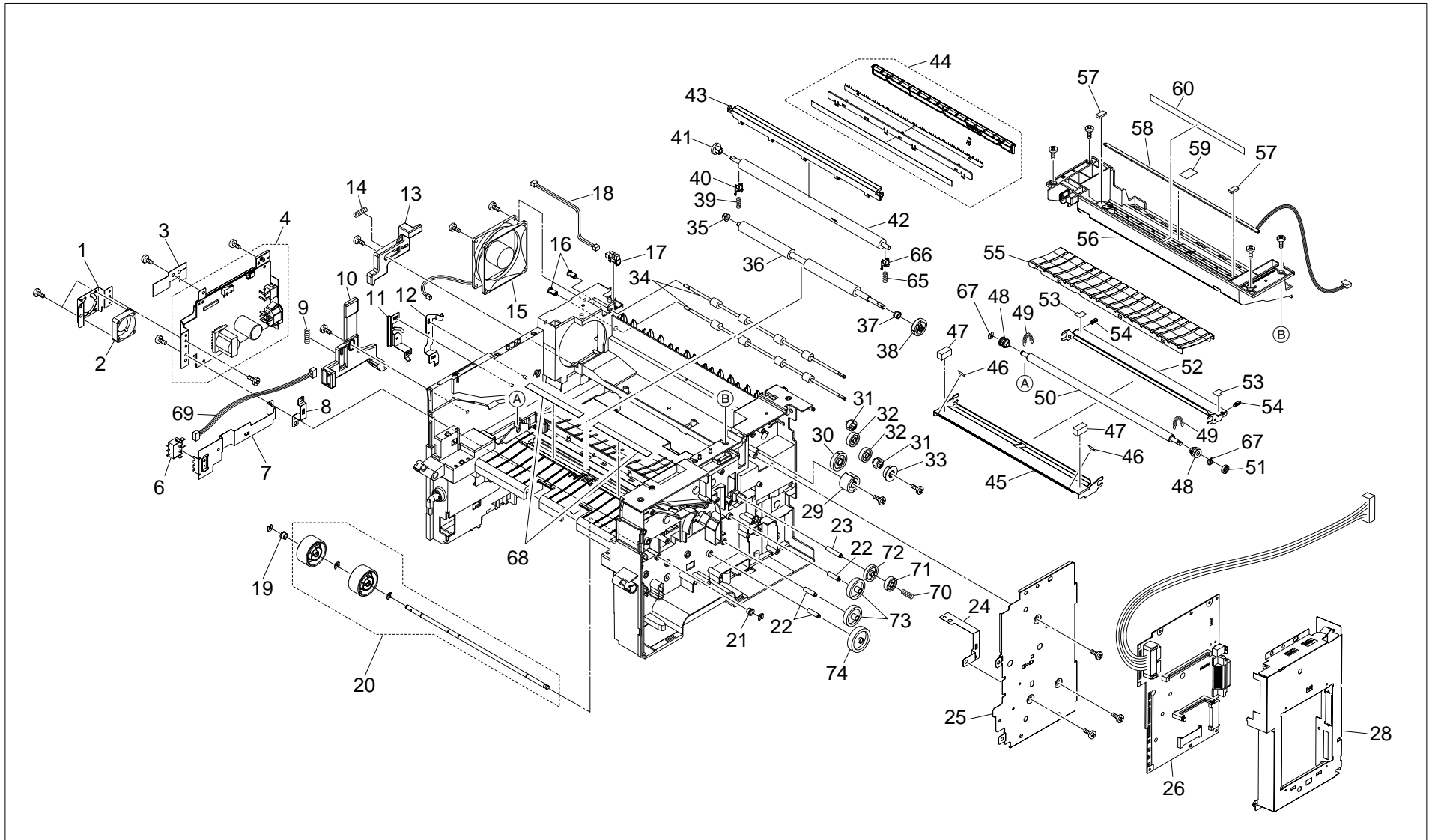
1. Enclosure (01-)



List 1 - Enclosure (01-)

Ref. No.	Part Code	Description	Applicable Models	SP	120V	230V	Remarks
01-001	2BZ69300	COVRE TOP PANEL ASSY		X	1	1	
01-002	2BZ02280	LID TOP SUB		X	1	1	
01-003	2BZ02080	PIN HINGE LEFT		X	2	2	
01-004	2BZ02270	LID TOP		X	1	1	
01-005	2BZ06250	STOPPER PAPER TRAY		X	1	1	
01-006	2BZ04180	COVER LEFT		X	1	1	
01-007	2BZ04250	COVER FRONT		X	1	1	
01-008	2BZ02080	PIN HINGE LEFT		X	1	1	
01-009	2BZ02090	PIN HINGE RIGHT		X	1	1	
01-010	2BZ04150	COVER TOP SUB		X	1	1	
01-011	2BZ04010	BUTTON	Excl.KMFR/KMIT	X	-	1	
01-011	2BZ04030	BUTTON	KMFR only	X	-	1	
01-011	2BZ04040	BUTTON	KMIT only	X	-	1	
01-011	2BZ04280	BUTTON		X	1	-	
01-012	2BZ01110	P. W. BOARD ASSY	LCD KP-937	X	-	1	
01-012	2BZ01100	P. W. BOARD ASSY	LCD KP-937	X	1	-	
01-013	2BZ24030	SPRING EARTH LCD		-	1	1	
01-014	2BZ02130	ACTUATOR FD		X	1	1	
01-015	2BZ02070	FRAME FD		X	1	1	
01-016	2BZ02360	SPRING PULLEY FD		X	8	8	
01-017	5MVM273DB006	ROLLER PINCH		X	8	8	
01-018	2BZ02610	PLATE DISCHARGER		-	2	2	
01-019	2BZ04220	DISCHARGER FD		X	2	2	
01-020	2BZ04330	PLATE HOOK		-	2	2	
01-021	2BZ04140	COVER REAR		X	1	1	
01-022	2BZ08440	DEFLECTOR		-	1	1	
01-023	2BZ16390	GUIDE STOCK		-	1	1	
01-024	2BZ04190	COVER RIGHT		X	1	1	
01-025	2BZ04170	COVER RIGHT SUB		X	1	1	
01-027	2BZ04290	LABEL LID A		X	1	1	
01-028	2BZ04300	LABEL LID B		X	1	1	

2. Upper Frame Unit — 1 (02-)

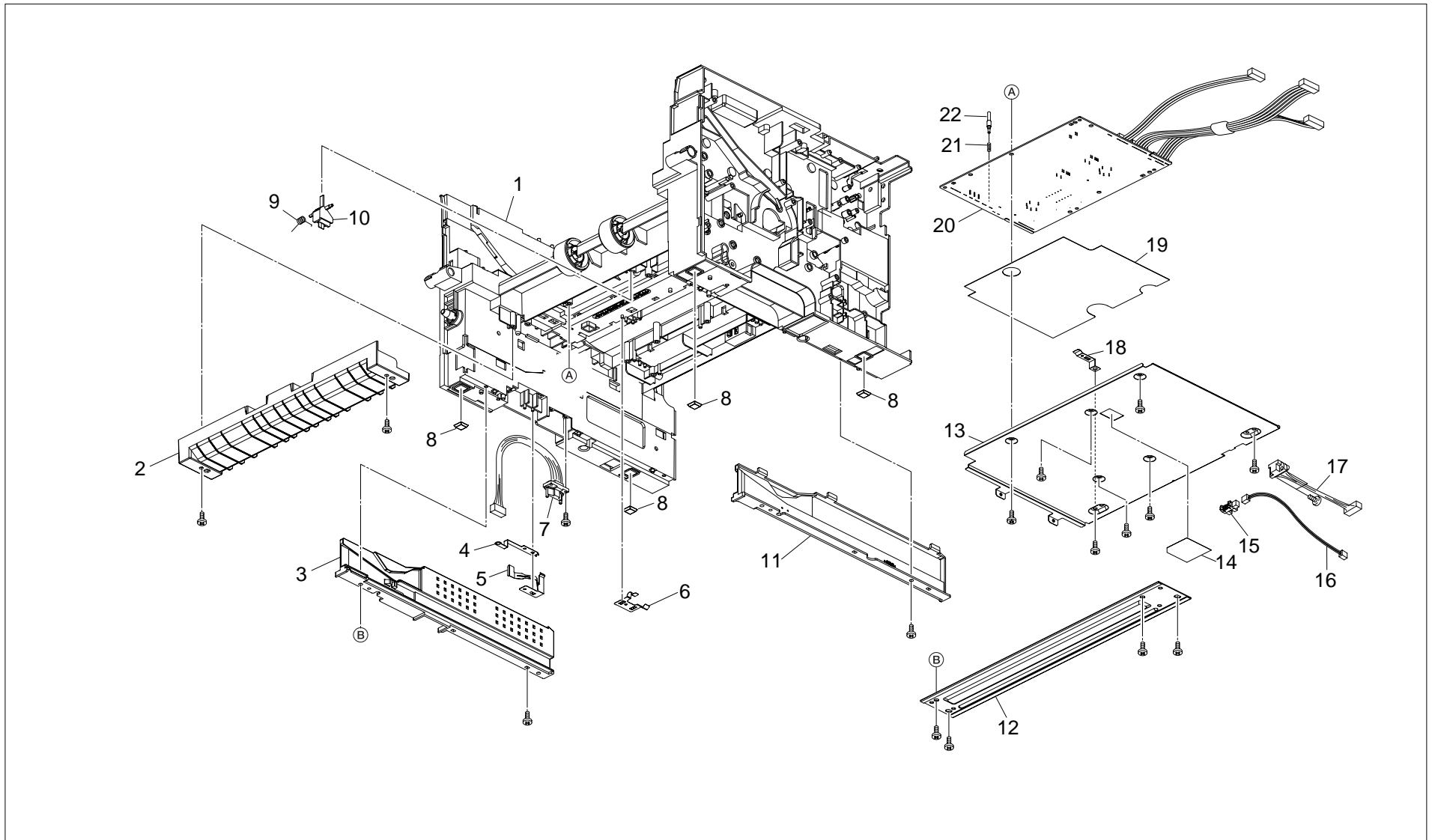


List 2 - Upper Frame Unit — 1 (02-)

Ref. No.	Part Code	Description	Applicable Models	SP	120V	230V	Remarks
02-001	2BZ02260	BRACKET FAN		-	1	1	
02-002	2BZ27130	FAN MOTOR		X	1	1	
02-003	2BZ02520	SHEET CORD KEEP		-	1	1	
02-004	2BZ03090	SWITCHING REGULATOR		X	1	1	
02-004	2BZ27150	SWITCHING REGULATOR		X	1	1	
02-006	5ESP03090001+01	PUSH SWITCH 03 SN		X	1	1	
02-007	2BZ14300	HOLDER CASS SW		-	1	1	
02-008	2BZ02200	PLATE EARTH L		-	1	1	
02-009	2BZ02020	SPRING INTERLOCK		-	1	1	
02-010	2BZ02150	ROD INTERLOCK		-	1	1	
02-011	2BZ02240	PLATE EARTH DR		-	1	1	
02-012	2BZ02220	PLATE CONTACT MC		-	1	1	
02-013	2BZ02110	ROD INTERLOCK REAR		-	1	1	
02-014	2BZ02020	SPRING INTERLOCK		-	1	1	
02-015	5EZN2402503+02	FAN MOTOR		X	1	1	
02-016	5MVM266DN006	BUSH FD		X	1	1	
02-017	NX000340	PT.SENSOR GP1A73A		X	1	1	
02-018	2BZ26050	CONN. CORD ASSY		-	1	1	
02-019	5MVM176DN016	BUSH A		X	1	1	
02-020	2BZ68810	ROLL MIDDLE SUB ASSY		X	1	1	
02-021	5MVM176DN016	BUSH A		X	1	1	
02-022	2BZ22280	PIN DRIVE A		X	1	1	
02-023	2BZ22290	PIN DRIVE B		X	1	1	
02-024	2BZ02460	PLATE EARTH R		-	1	1	
02-025	2BZ03040	LID CONTROLLER		-	1	1	
02-026	2BZ01260	P.W. BOARD ASSY	MAIN KP-934	X	1	1	
02-027	2BZ04230	PLATE SHIELD		-	1	1	
02-028	2BZ03010	BOX CONTROLLER		-	1	1	
02-029	2BZ16210	GEAR JOINT Z31		X	1	1	
02-030	2BZ16200	GEAR Z35		X	1	1	
02-031	5MVG127DN076	GEAR ROLL FD Z18		X	2	2	
02-032	5MVG137DN014	GEAR IDLE Z25		X	2	2	
02-033	2BZ22320	GEAR IDLE Z23		X	1	1	
02-034	2BZ02430	ROLLER FD B		X	2	2	
02-035	5MVM176DN016	BUSH A		X	1	1	
02-036	2BZ16130	ROLLER REGIST LOW		X	1	1	
02-037	5MVM176DN016	BUSH A		X	1	1	
02-038	2BZ16190	GEAR REGIST Z32-Z31		X	1	1	
02-039	2BZ02470	SPRING TC L		X	1	1	

Ref. No.	Part Code	Description	Applicable Models	SP	120V	230V	Remarks
02-040	5MVX221DB023	BUSH TC L		X	1	1	
02-041	2BZ20070	GEAR TC Z18		X	1	1	
02-042	2BZ16030	ROLLER TRANSFER		X	1	1	
02-043	2BZ16230	PAPER CHUTE LOW		X	1	1	
02-044	2BZ68520	DC BRUSH ASSY		X	1	1	
02-045	2BZ16560	GUIDE PAPER		-	1	1	
02-046	2BZ20190	LABEL RELEASE		-	2	2	
02-047	2BZ02530	PAD PAPER CHUTE		-	2	2	
02-048	5MVM221DB002	BUSH REGIST		X	2	2	
02-049	5MMW341LD007	SPRING REGIST L		X	2	2	
02-050	2DH16230	ROLLER REGIST UP		X	1	1	
02-051	5MVG137DB064	GEAR REGIST Z24		X	1	1	
02-052	2BZ16540	PAPER CHUTE UP		-	1	1	
02-054	2BZ02490	STOPPER PAPER CHUTE		-	2	2	
02-055	2BZ14310	PLATE EARTH GUIDE		-	1	1	
02-056	2BZ02160	FRAME MID		-	1	1	
02-057	2BZ12270	SEAL MID B		-	2	2	
02-058	2D401170	P.W.BOARD ASSY	ERASER KP-939	X	1	1	
02-059	2BZ02010	SHEET ERASER		-	1	1	
02-060	2BZ12260	SEAL MID A		-	1	1	
02-063	2BZ01270	P.W. BOARD ASSY	DIMM KP-839	X	1	1	
02-065	2BZ02480	SPRING TC R		X	1	1	
02-066	5MVX221DW008	BUSH TC R		X	1	1	
02-067	5MVX111DN003	RING STOPPER		X	2	2	
02-068	2BZ02450	SHEET REGIST		X	2	2	
02-069	2BZ26110	CONN. CORD ASSY		-	1	1	
02-070	2BZ14160	SPRING FREE FIXING		X	1	1	
02-071	2BZ22480	GEAR FREE Z29S		X	1	1	
02-072	2BZ22590	GEAR FREE Z34S		X	1	1	
02-073	2BZ22490	GEAR Z52S		X	2	2	
02-074	2BZ22370	GEAR Z24S-Z96H		X	1	1	

3. Upper Frame Unit — 2 (03-)



List 3 - Upper Frame Unit — 2 (03-)

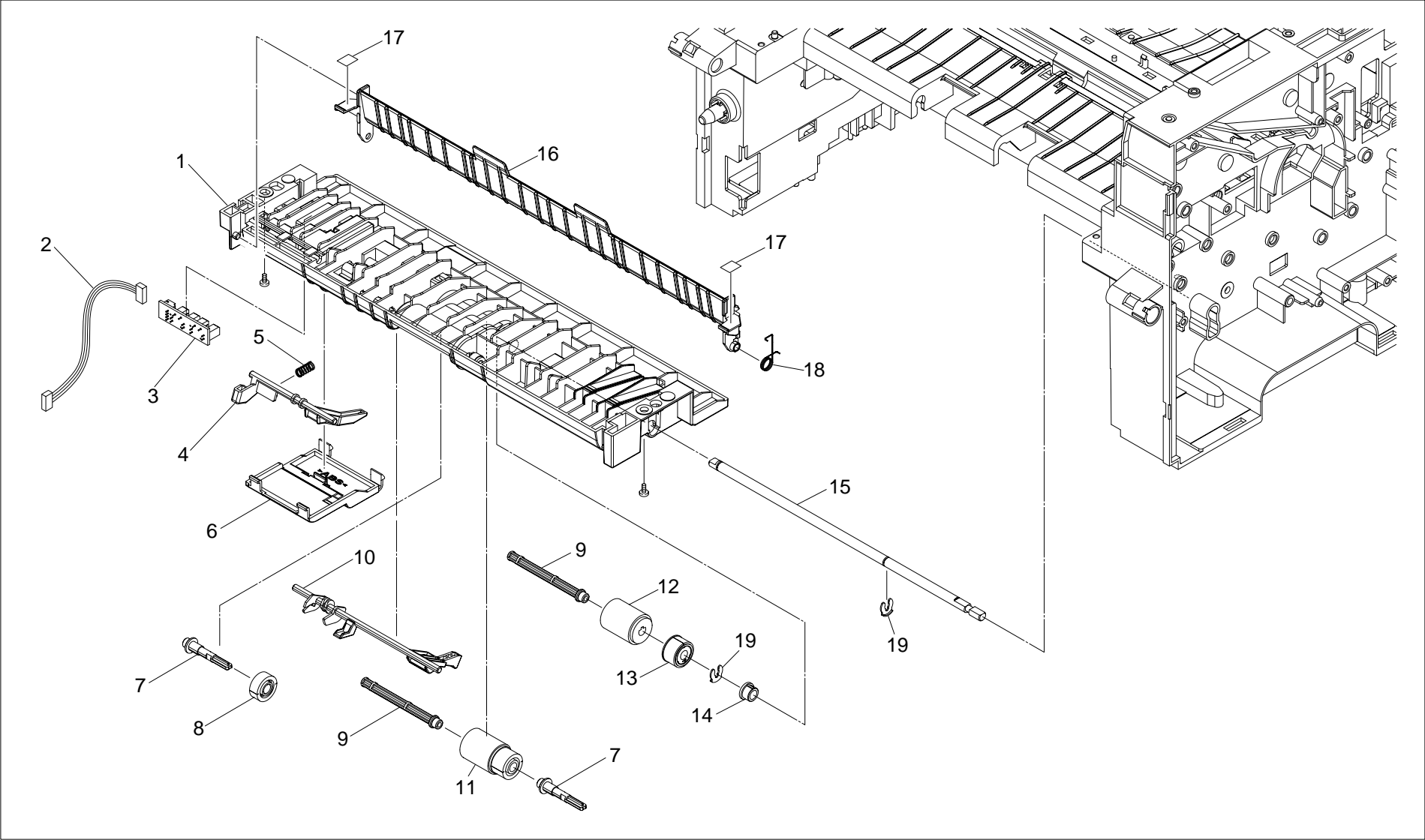
Ref. No.	Part Code	Description	Applicable Models	SP	120V	230V	Remarks
03-001	2BZ02170	FRAME BASE		-	1	1	
03-002	2BZ16060	GUIDE PAPER LOW		-	1	1	
03-003	2BZ06110	GUIDE CASSETTE L		-	1	1	
03-004	2BZ02590	PLATE EARTH STAY		-	1	1	
03-005	2BZ02250	PLATE EARTH CASS		-	1	1	
03-006	2BZ14270	PLATE CONTACT DC		-	1	1	
03-007	2BZ26030	CONN. CORD ASSY		X	1	1	
03-008	5MVX221RB014	FOOT		-	4	4	
03-009	2BZ02440	SPRING ACTUATOR		-	1	1	
03-010	2BZ16400	ACTUATOR REGIST		X	1	1	
03-011	2BZ02550	GUIDE CASSETTE R		-	1	1	
03-012	3HN02140	STAY PF A3		-	1	1	
03-013	2BZ03050	PLATE BOTTOM FRAME		-	1	1	
03-014	2BZ02540	SHEET BOTTOM FRAME		-	1	1	
03-015	NX000340	PT.SENSOR GP1A73A		X	1	1	
03-016	2BZ26190	CONN. CORD ASSY		-	1	1	
03-017	2BZ26120	CONN. CORD ASSY		X	1	1	
03-018	2BZ14280	PLATE EARTH BOTTOM		-	1	1	
03-019	2BZ16470	SHEET HV		-	1	1	
03-020	2BZ01220	P.W. BOARD ASSY	ENGINE KP-936	X	1	-	
03-020	2BZ01230	P.W. BOARD ASSY	ENGINE KP-936	X	-	1	
03-021	2BZ02370	SPRING CONTACT BIAS		-	1	1	
03-022	2BZ14560	PIN CONTACT BIAS		-	1	1	

List 3 - Upper Frame Unit — 2 (03-)

Ref. No.	Part code	Description	Applicable model	ISP	GSP	120V	230V	Note
03-A01	2BL93110	PC-700(A4) CASSETTE ASSY		X	X	-	2	
03-A01	2BL93120	PC-700(LTR) CASSETTE ASSY		X	X	2	-	
03-001	+ 2AR07010	CASSETTE		-	-	2	2	
03-002	+ J0463080	PLUG,QR/P15-8S-C(HIROSE)		-	X	2	2	
03-003	+ 2AR05150	LABEL,CASSETTE OPERATION		-	-	2	2	
03-004	+ 2AR05200	LABEL,PAPER UPPER LIMIT		-	-	2	2	
03-005	+ 2AR07020	BASE,CASSETTE		-	-	2	2	
03-006	+ 2AR07030	WORK PLATE,CASSETTE BASE		-	-	2	2	
03-007	+ 2AR07040	SHAFT,WORK PLATE		-	-	2	2	
03-008	+ 2AR07050	RAIL A,CURSOR		-	-	2	2	
03-009	+ 2AR07060	CURSOR A,CASSETTE		-	-	2	2	
03-010	+ 2AR07070	CURSOR B,CASSETTE		-	-	2	2	
03-011	+ 2AR07080	CURSOR C,CASSETTE		-	-	2	2	
03-012	+ 2AR07090	RAIL C,CURSOR		-	-	2	2	
03-013	+ 2AR07100	FRONT GUIDE C,CURSOR		-	-	2	2	
03-014	+ 2AR07110	REAR GUIDE C,CURSOR		-	-	2	2	
03-015	+ 2AR07120	LID A,CURSOR		-	-	2	2	
03-016	+ 2BL04140	COVER CASSETTE		X	X	2	2	
03-017	+ 2AR07150	GROUND PLATE,CASSETTE		-	X	2	2	
03-018	+ 2AR07160	MOUNT,CASSETTE STOPPER		-	-	2	2	
03-019	+ 2AR07180	RETAINER M4		-	-	6	6	
03-020	+ 2AR07190	SHAFT,CASSETTE PULLEY		-	-	4	4	
03-021	+ 2AR07340	LEVER A,CURSOR		-	-	2	2	
03-022	+ 2AR07610	STOPPER,TRAILING EDGE DETECTION		-	-	2	2	
03-023	+ 2AR07620	PROTECTING PLATE,CASSETTE WIRE		-	-	2	2	
03-024	+ 2AR07630	LID,TRAILING EDGE DETECTION PLATE		-	-	2	2	
03-025	+ 2AR27220	WIRE,CASSETTE UNIT		-	-	2	2	
03-026	+ 33907100	RACK,CASSETTE		-	X	4	4	
03-027	+ 33907170	DETECTION PLATE,PAPER SIZE		-	-	2	2	
03-028	+ 33907210	CUSHION,CASSETTE WORK PLATE		-	X	4	4	
03-029	+ 33928111	SIZE DETECTION PCB		X	X	2	2	
03-030	+ 34907150	PULLEY,CASSETTE		-	X	4	4	
03-031	+ 60907170	CUSHION,CASSETTE R		-	X	4	4	
03-032	+ 65914120	GEAR 18,IDLE DEVELOPING		-	X	2	2	
03-033	+ 66007120	SPRING,CURSOR C		-	-	2	2	
03-034	+ 66106080	SPRING,PAD		-	X	2	2	
03-035	+ 66107100	PAD,CASSETTE		-	X	2	2	
03-036	+ 77906210	CASSETTE STOPPER		-	-	2	2	
03-037	+ 33907110	TERMINAL,PAPER SIZE PCB		-	-	2	2	

Ref. No.	Part code	Description	Applicable model	ISP	GSP	120V	230V	Note
03-038	+ 2BL04160	HANDLE CASSETTE		X	X	2	2	
03-039	+ 2BL04310	PLATE NUMBER		-	X	1	1	
03-039	+ 2BL04370	PLATE NUMBER 2		-	X	1	1	
03-040	+ 2BL06470	PLATE SIZE C		-	X	2	2	
03-040	+ 2BL06910	PLATE SIZE IN		-	X	2	2	
03-041	+ 2AR06890	MOUNT CUSHION		-	-	4	4	

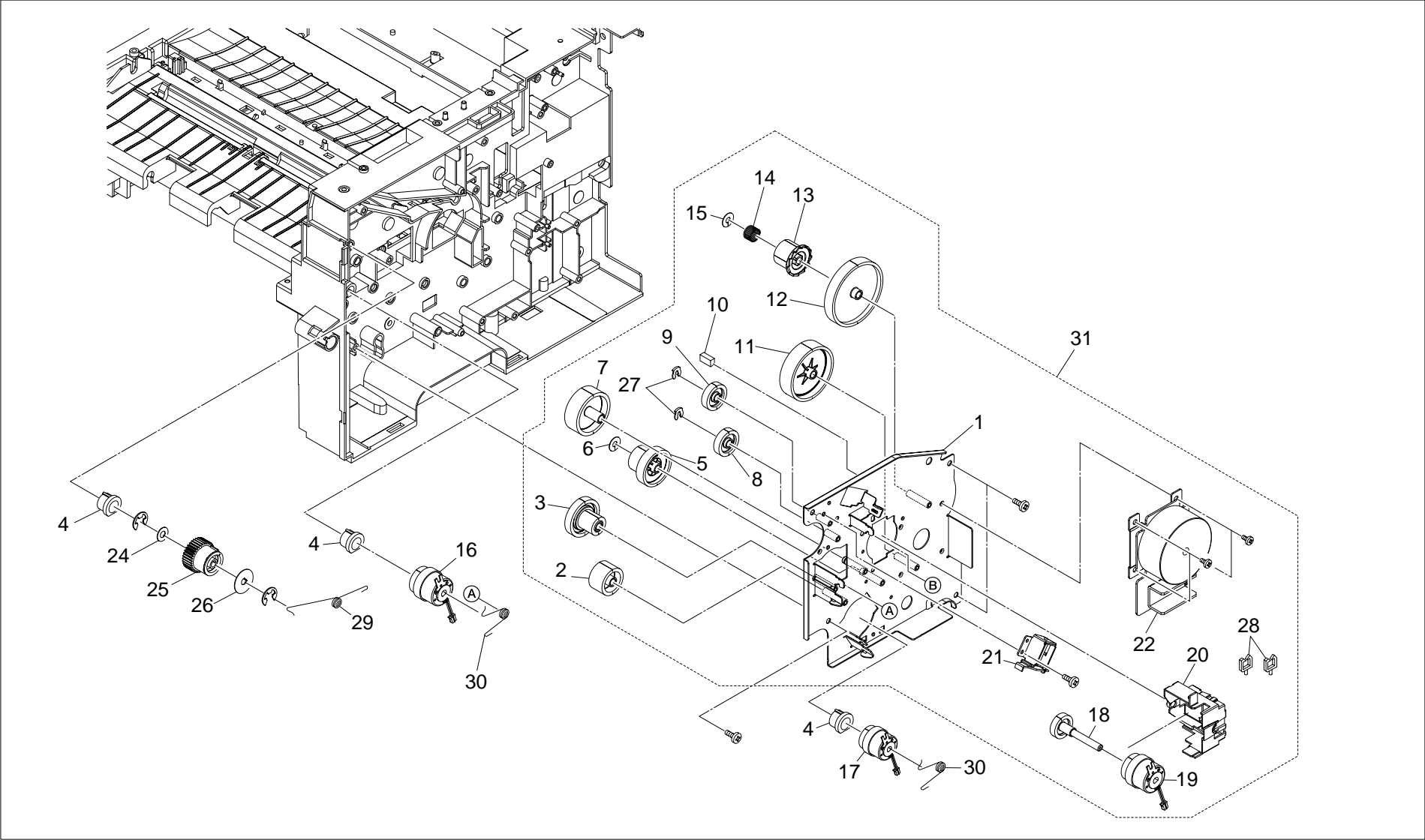
4. Feed assembly (04-)



List 4 - Feed assembly (04-)

Ref. No.	Part Code	Description	Applicable Models	SP	120V	230V	Remarks
04-001	2BZ16070	GUIDE FEED		-	1	1	
04-002	2BZ26180	CONN. CORD ASSY		-	1	1	
04-003	2CL01770	P.W.BOARD ASSY	P.SENSOR KP-943	X	1	1	
04-004	2BZ02040	LEVER RELEASE		-	1	1	
04-005	2BZ02510	SPRING RELEASE		-	1	1	
04-006	2BZ20230	LID FEED GUILLE		-	1	1	
04-007	2BZ16170	PIN FEED IDLE		X	2	2	
04-008	2BZ16180	GEAR FEED IDLE Z32S		X	1	1	
04-009	3FW02590	SHAFT HOLDER		X	2	2	
04-010	2BZ16680	ACTUATOR EMPTY		X	1	1	
04-011	2DH16260	ROLLER FEED ASSY		X	1	1	
04-012	5AAVR0LL+048	ROLLER PICKUP ASSY		X	1	1	
04-013	2BZ16630	GEAR PICKUP ASSY		X	1	1	
04-014	5MVM176DN016	BUSH A		X	1	1	
04-015	2BZ16120	SHAFT FEED		-	1	1	
04-016	2BZ22200	GUIDE RETURN		-	1	1	
04-017	2BZ20190	LABEL RELEASE		-	2	2	
04-018	2BZ02350	SPRING GUIDE RETURN		-	1	1	
04-019	5MVX111DN003	RING STOPPER		X	2	2	

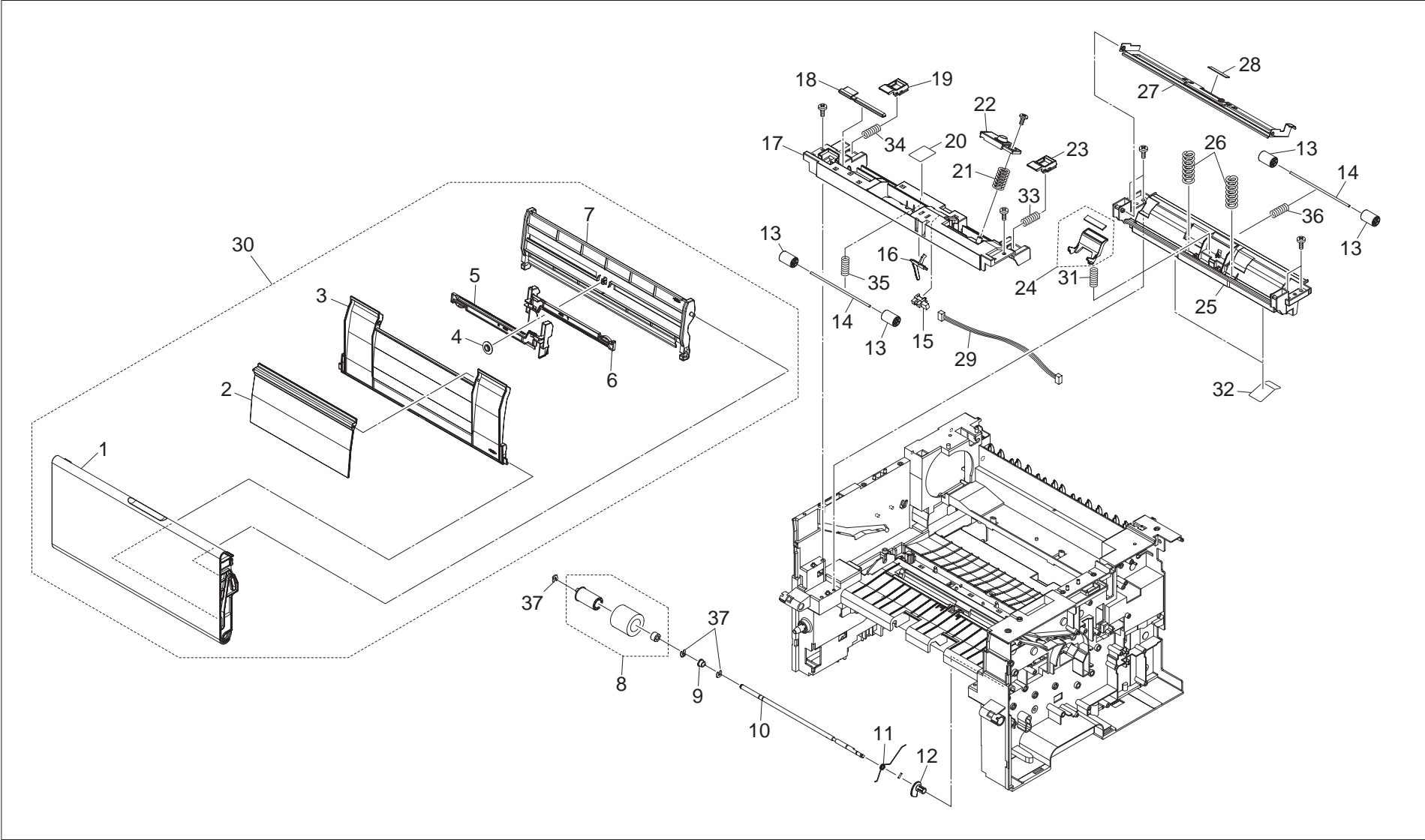
5. Drive unit (05-)



List 5 - Drive unit (05-)

Ref. No.	Part Code	Description	Applicable Models	SP	120V	230V	Remarks
05-031	2BZ93060	DR-400 DRIVE UNIT		X	1	1	
05-001	2BZ22540	PLATE DRIVE		-	1	1	
05-002	2BZ22470	GEAR Z31S		X	1	1	
05-003	2BZ22330	GEAR Z20S-Z43S		X	1	1	
05-004	5MVM176DN016	BUSH A		X	4	4	
05-005	2BZ22350	GEAR Z27S-Z66H		X	1	1	
05-006	5MBWL52D55NN	POLY CUT WASHER		-	1	1	
05-007	2BZ22340	GEAR Z50S		X	1	1	
05-008	5MVG138DN048	GEAR FD Z29		X	1	1	
05-009	5MVG138DN048	GEAR FD Z29		X	1	1	
05-010	2BZ22680	SPACER		-	1	1	
05-011	2BZ22360	GEAR Z100H		X	1	1	
05-012	2BZ22400	GEAR Z119H		X	1	1	
05-013	2BZ22390	GEAR Z26H		X	1	1	
05-014	2BZ22010	SPRING RATCHET		-	1	1	
05-015	5MBWL52D55NN	POLY CUT WASHER		-	1	1	
05-016	YY000270	CLUTCH MID		X	1	1	
05-017	YY000250	CLUTCH FEED		X	1	1	
05-018	2BZ22310	GEAR Z26S SHAFT		X	1	1	
05-019	YY000240	CLUTCH REGIST		X	1	1	
05-020	2BZ22300	HOLDER CLUTCH		-	1	1	
05-021	WS000090	SOLENOID TDS-F06A-09		X	1	1	
05-022	2BZ27010	MOTOR MAIN		X	1	1	
05-025	2BZ27090	CLUTCH MULTI		X	1	1	
05-027	5MVX111DN003	RING STOPPER		X	2	2	
05-028	2BZ22670	CLAMPER		-	2	2	
05-029	2BZ22530	SPRING EARTH MULTI		-	1	1	
05-030	2BZ22560	SPRING CLUTCH		-	2	2	

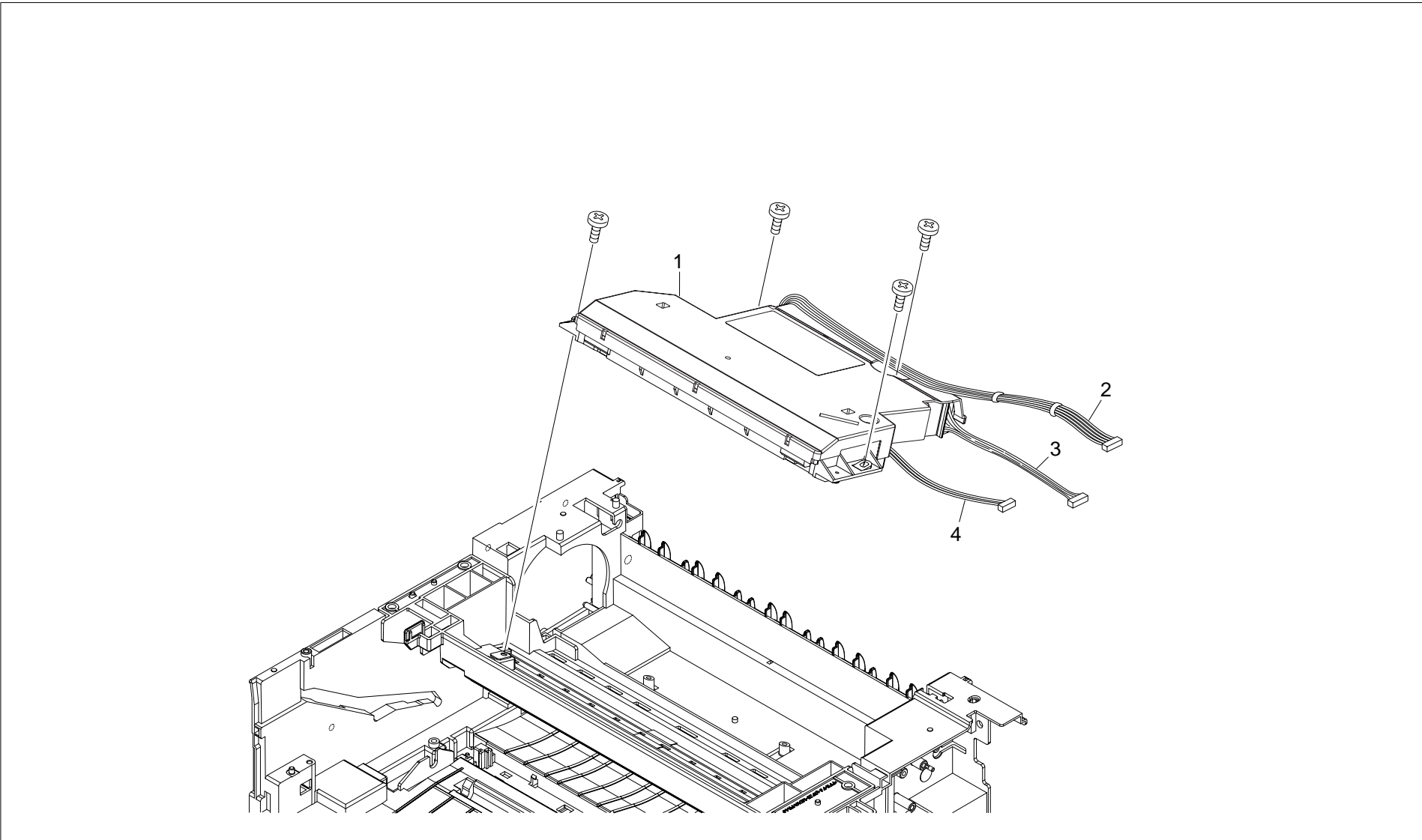
6. MPF (06-)



List 6 - MPF (06-)

Ref. No.	Part Code	Description	Applicable Models	SP	120V	230V	Remarks
06-030	2BZ69320	COVER MP ASSY		X	1	1	
06-001	+ 2BZ04160	COVER MP		X	1	1	
06-002	+ 5MVS771SH001	TRAY M/P C		-	1	1	
06-003	+ 2BZ06150	TRAY B MP		-	1	1	
06-004	+ 5MVG127DH001	GEAR MANUAL		-	1	1	
06-005	+ 2BZ16490	GUIDE SIDE R MP		-	1	1	
06-006	+ 2BZ16480	GUIDE SIDE L MP		-	1	1	
06-007	+ 2BZ06140	TRAY A MP		-	1	1	
06-008	2BZ16100	ROLLER FEED MP ASSY		X	1	1	
06-009	5MVM176DN016	BUSH A		X	1	1	
06-010	2BZ16310	SHAFT ROLL MP		-	1	1	
06-011	2BZ02310	SPRING EARTH MP		-	1	1	
06-012	2BZ22130	CAM MP		X	1	1	
06-013	2BZ02400	PULLEY MID MP		X	4	4	
06-014	2BZ02380	SHAFT MID MP		-	2	2	
06-015	2BZ16530	PT.SENSOR EE-SX1235A		X	1	1	
06-016	2BZ06040	ACTUATOR MP		X	1	1	
06-017	2BZ16510	GUIDE FEED MP		-	1	1	
06-018	2BZ06370	BRUSH CLEANER ASSY		X	1	1	
06-019	2BZ02390	LOCK DLP MP		-	1	1	
06-020	2BZ06010	SHEET GUIDE FEED MP		-	1	1	
06-021	2BZ02330	SPRING TE SENSOR		-	1	1	
06-022	NX000330	TE.SENSOR ASSY		X	1	1	
06-023	2BZ02390	LOCK DLP MP		-	1	1	
06-024	2BZ68620	SEPARATOR MP ASSY		X	1	1	
06-025	2BZ06130	GUIDE TURN MP		-	1	1	
06-026	2BZ17040	SPRING BOTTOM MP		-	2	2	
06-027	2BZ16550	PLATE BOTTOM MP		-	1	1	
06-028	2BZ14430	PAD FRICTION MP		X	1	1	
06-029	2BZ26060	CONN. CORD ASSY		-	1	1	
06-031	2BZ17030	SPRING SEPARATOR MP		X	1	1	
06-032	2BZ06020	SHEET GUIDE TURN MP		-	2	2	
06-033	2BZ16150	SPRING LOCK R MP		-	1	1	
06-034	2BZ16520	SPRING LOCK L MP		-	1	1	
06-035	2BZ02340	SPRING PULLEY FEED		X	1	1	
06-036	2BZ14140	SPRING PULLEY MIDDLE		-	1	1	
06-037	5MVX111DN003	RING STOPPER		X	3	3	
06-011	2BZ00040	SPRING CAM MP		-	1	1	

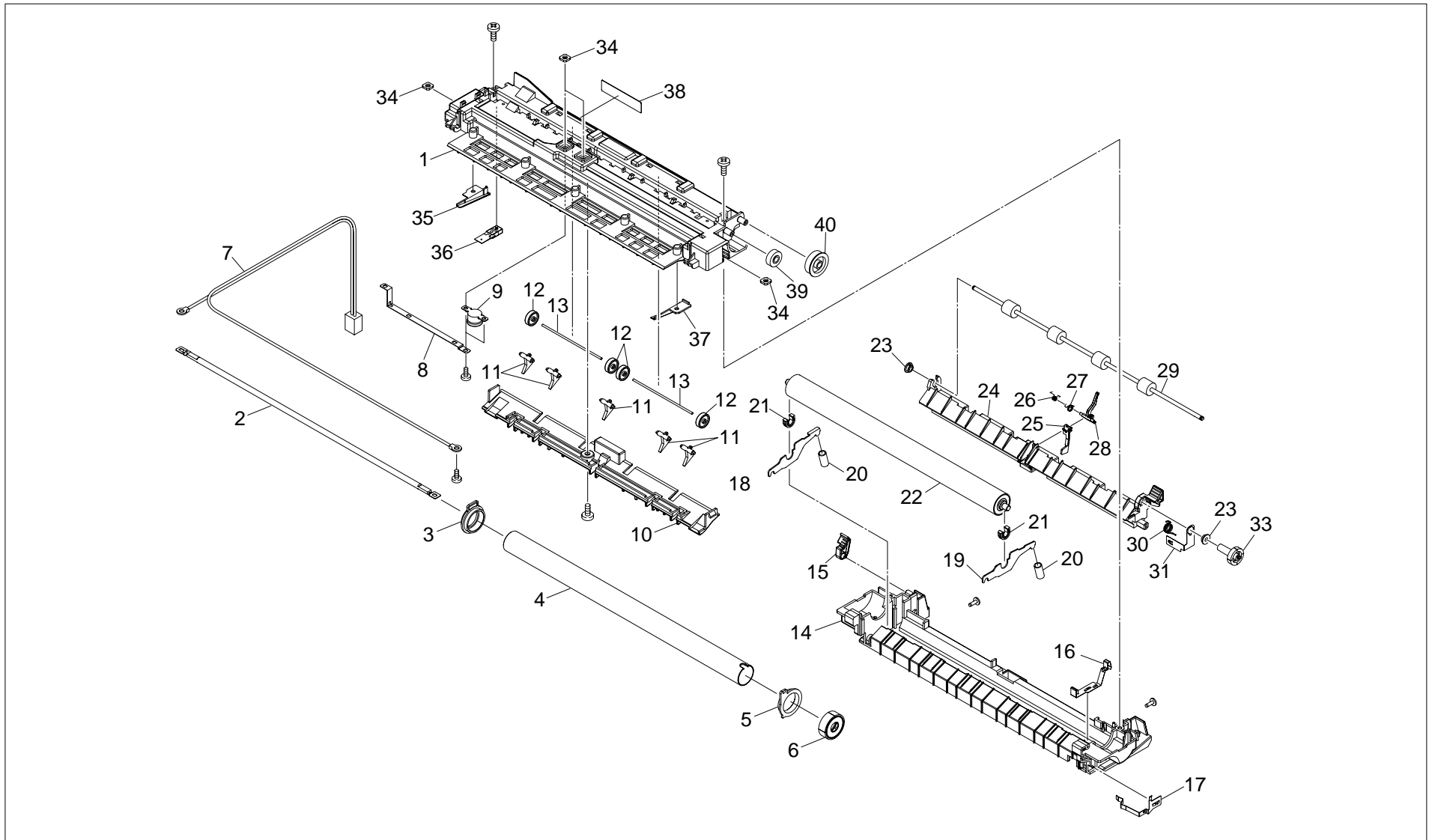
7. Scanner (07-)



List 7 - Scanner (07-)

Ref. No.	Part Code	Description	Applicable Models	SP	120V	230V	Remarks
07-001	2BZ93050	LK-400 LASER SCANNER UNIT		X	1	1	

8. Fuser unit (08-)

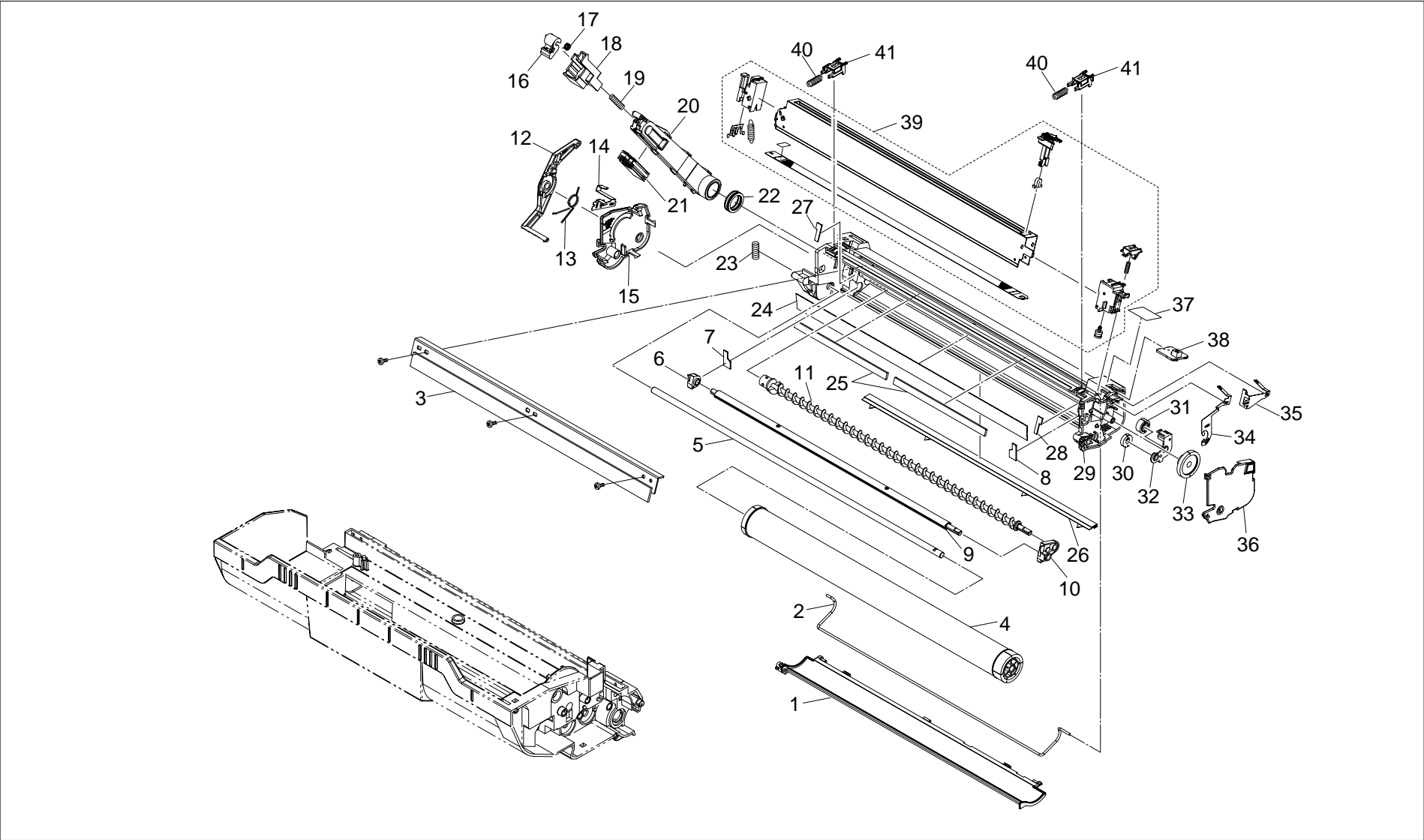


List 8 - Fuser unit (08-)

Ref. No.	Part Code	Description	Applicable Models	SP	120V	230V	Remarks
08	2BZ93020	FK-400U FUSER UNIT		X	1	-	
08	2BZ93010	FK-400E FUSER UNIT		X	-	1	
08-001	2BZ20160	FRAME FUSER UP		-	1	1	
08-002	2BZ27040	LAMP HEATER		X	1	-	
08-002	2BZ27030	LAMP HEATER		X	-	1	
08-003	5MVX441XN001	BUSH HEAT L		X	1	1	
08-004	2BZ20120	ROLLER HEAT		X	1	1	
08-005	5MVX441XN002	BUSH HEAT R		X	1	1	
08-006	5MVG148XN010	GEAR HEAT Z36		X	1	1	
08-007	2BZ26210	CONN. CORD ASSY		-	1	-	
08-007	2BZ26130	CONN. CORD ASSY		-	-	1	
08-008	2BZ20220	PLATE CORD		-	1	1	
08-009	5EYFFQ17002++01	THERMOSTAT 250V170°C		X	1	1	
08-010	2BZ16410	GUIDE EXIT UP		-	1	1	
08-011	5MVX222XN002	SEPARATOR		X	5	5	
08-012	5MVM176DB018	PULLEY EXIT		-	4	4	
08-013	2BZ20210	SHAFT EXIT		-	2	2	
08-014	2BZ20150	FRAME FUSER LOW		-	1	1	
08-015	2BZ16370	LEVER PRESS		-	1	1	
08-016	2BZ20020	PLATE EARTH FUSER B		-	1	1	
08-017	2BZ20060	PLATE EARTH FUSER C		-	1	1	
08-018	2BZ20200	PLATE ARM FUSER L		-	1	1	
08-019	2BZ20180	PLATE ARM FUSER R		-	1	1	
08-020	2BZ02180	SPRING PRESS		X	2	2	
08-021	5MVM188XN014	BUSH PRESS		X	2	2	
08-022	2BZ20110	ROLLER PRESS		X	1	1	
08-023	5MMM176CJ007	BUSH METAL		X	2	2	
08-024	2BZ16500	GUIDE EXIT		-	1	1	
08-025	2BZ20140	ACTUATOR FUSER		X	1	1	
08-026	2BZ16440	SPRING ACTUATOR A		-	1	1	
08-027	2BZ16450	SPRING ACTUATOR B		-	1	1	
08-028	2BZ16380	ACTUATOR EXIT		X	1	1	
08-029	2BZ16040	ROLLER EXIT		X	1	1	
08-030	2BZ17010	SPRING EXIT L		-	1	1	
08-031	2BZ20010	PLATE EARTH FUSER A		-	1	1	
08-033	2BZ20090	GEAR EXIT FUSER Z22		X	1	1	
08-034	5MMS111SL002	NUT FUSER A		-	4	4	
08-035	2BZ20250	GUIDE PAPER FUSER L		-	1	1	
08-036	2BZ27060	THERMISTOR ASSY		X	1	1	

Ref. No.	Part Code	Description	Applicable Models	SP	120V	230V	Remarks
08-037	2BZ20260	GUIDE PAPER FUSER R		-	1	1	
08-038	2BZ20030	SHEET FUSER CAUTION		-	1	1	
08-039	2BZ20100	GEAR IDLE FUSER Z20		X	1	1	
08-040	2BZ20130	GEAR JOINT FUSER Z32		X	1	1	

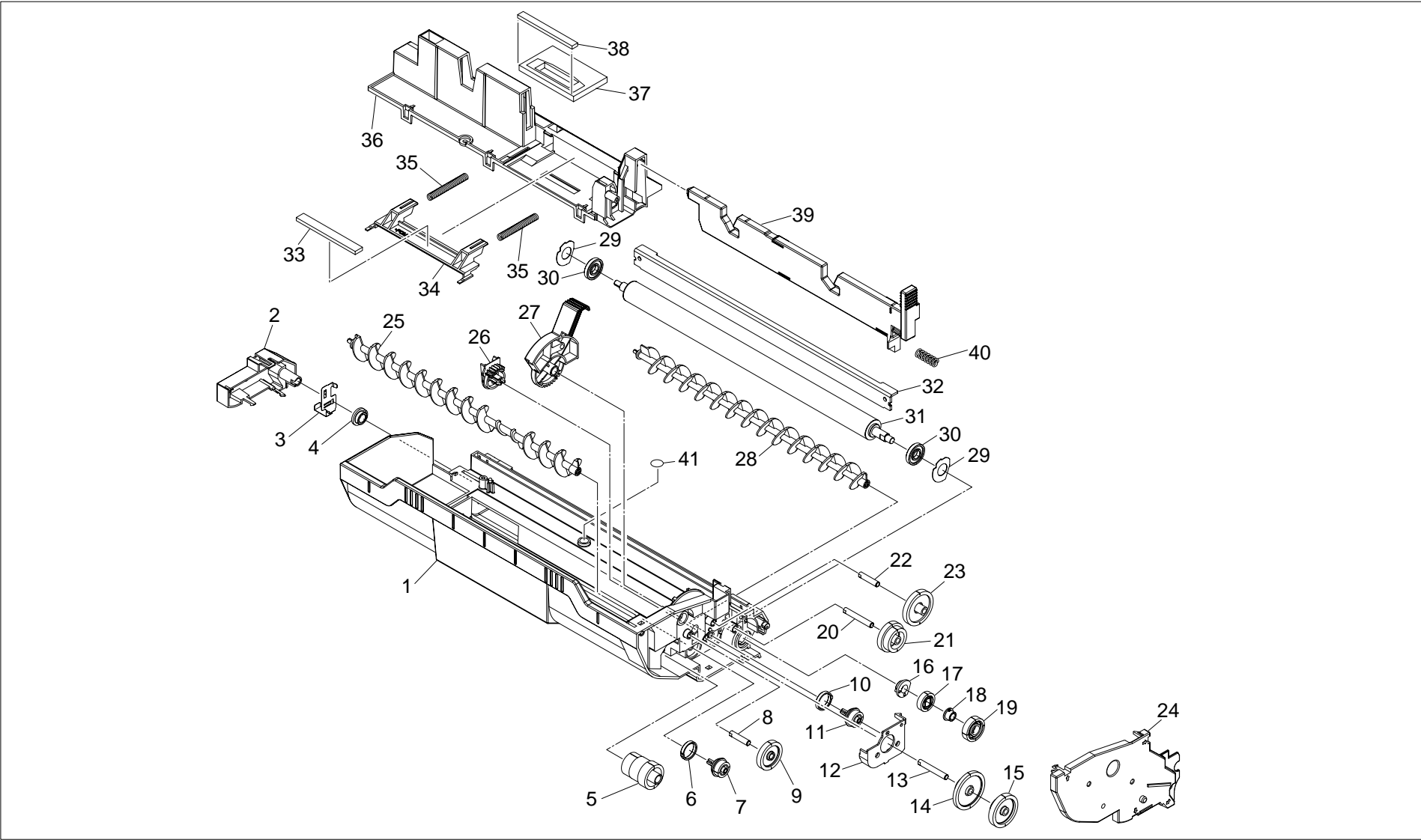
9. PU — 1 (10-)



List 9 - PU — 1 (10-)

Ref. No.	Part Code	Description	Applicable Models	SP	120V	230V	Remarks
10	2BZ93070	PU-400 PROCESS UNIT		X	-	1	
10	2BZ93090	PU-402 PROCESS UNIT		X	1	-	
10-003	2C314090	BLADE ASSY		X	1	1	
10-039	2BZ93040	MC-400 MCH ASSY		X	1	1	

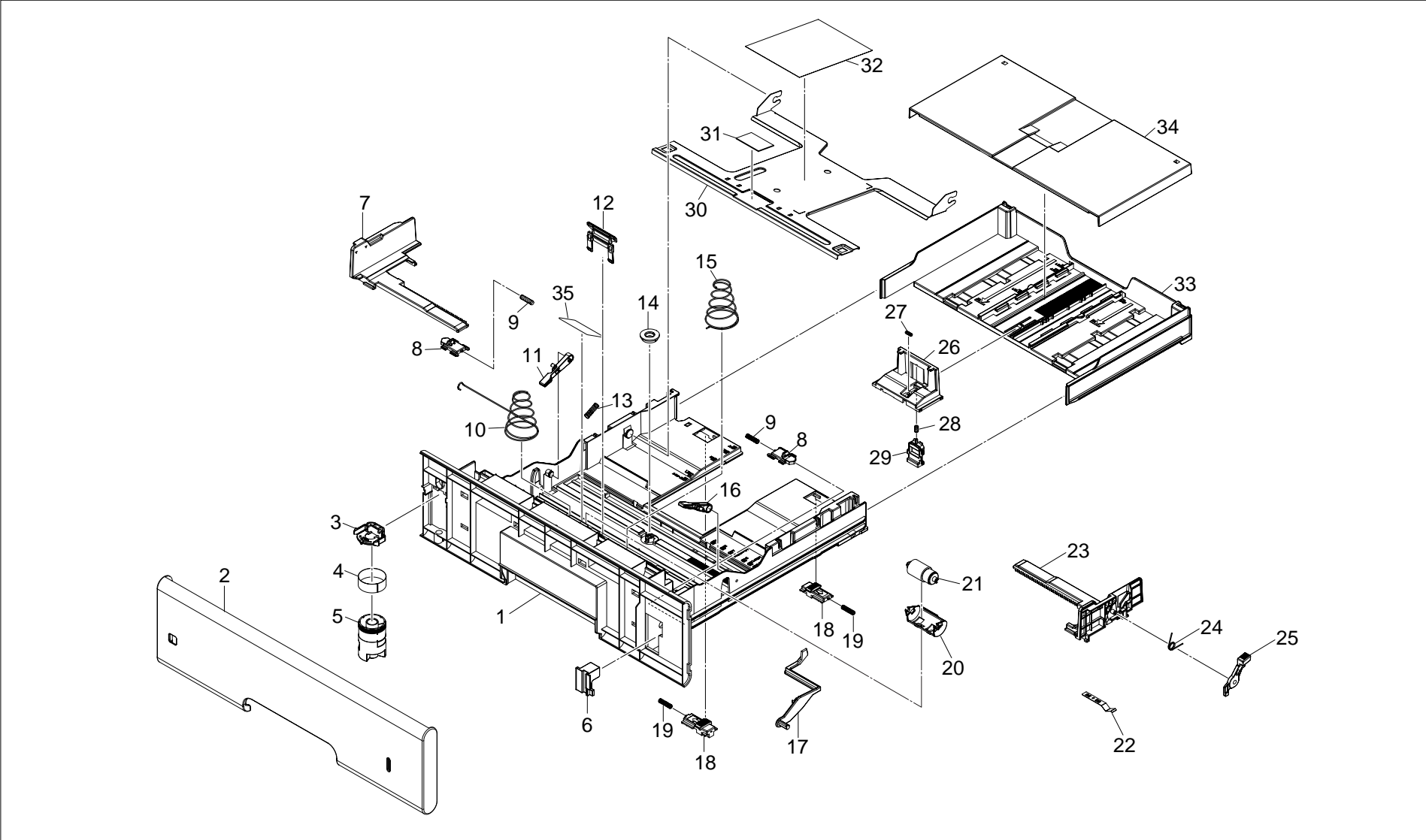
10. PU — 2 (10-)



List 10 - PU — 2 (10-)

No parts are designated for supply regarding the diagram above.

11. Paper cassette (11-)



List 11 - Paper cassette (11-)

Ref. No.	Part Code	Description	Applicable Models	SP	120V	230V	Remarks
11	2BZ93110	CT-400 CASSETTE ASSY		X	1	1	
11-001	2BZ06240	BASE CASSETTE		-	1	1	
11-002	2BZ06060	COVER CASSETTE		-	1	1	
11-003	2BZ06180	HOLDER DIAL		-	1	1	
11-004	2BZ06090	LABEL DIAL		-	1	1	
11-005	2BZ06070	DIAL CASSETTE		-	1	1	
11-006	2BZ02060	MARKER INDICATOR		-	1	1	
11-007	2BZ06210	GUIDE SIDE L		-	1	1	
11-008	2BZ06360	LOCK BOTTOM		-	2	2	
11-009	2BZ06270	SPRING LOCK		-	2	2	
11-010	2BZ06290	SPRING BOTTOM EARTH		-	1	1	
11-011	2BZ02100	LEVER BOTTOM LOCK		-	1	1	
11-012	2BZ78160	GUIDE RETARD		-	1	1	
11-013	5MMW151LD004	SPRING RETARD		X	1	1	
11-014	2BM07310	GEAR GUIDE SIDE		-	1	1	
11-015	2BZ06280	SPRING BOTTOM		-	1	1	
11-016	2BZ02100	LEVER BOTTOM LOCK		-	1	1	
11-017	2BZ02140	LEVER INDICATOR		-	1	1	
11-018	2BZ06160	LOCK CAS BASE		-	2	2	
11-019	2BZ06270	SPRING LOCK		-	2	2	
11-020	5MVX644DN001	HOLDER RETARD		-	1	1	
11-021	5AAVROLL+052	RETARD ROLL ASSY		X	1	1	
11-022	2BZ16290	PLATE SIDE GUIDE		-	1	1	
11-023	2BZ06220	GUIDE SIDE R		-	1	1	
11-024	2BZ06260	SPRING SIDE GUIDE		-	1	1	
11-025	2BZ06170	LEVER SIDE GUIDE		-	1	1	
11-026	2BZ06100	STOPPER END		-	1	1	
11-027	5MMW151SD003	SPRING END		-	1	1	
11-028	5MMW166LD010	SPRING LOCK GUIDE		-	1	1	
11-029	2BZ02050	LEVER END STOPPER		-	1	1	
11-030	2BZ14320	PLATE BOTTOM		-	1	1	
11-031	2BZ06300	PAD BOTTOM		X	1	1	
11-032	2BZ06310	LAVEL OPERATION		-	1	1	
11-033	2BZ06230	BASE CASSETTE REAR		-	1	1	
11-034	2BZ06050	LID CASSETTE		X	1	1	
11-035	2BZ06340	SHEET CASSETTE		-	1	1	